

### IP Set-Top Box

#### DST-2000IP



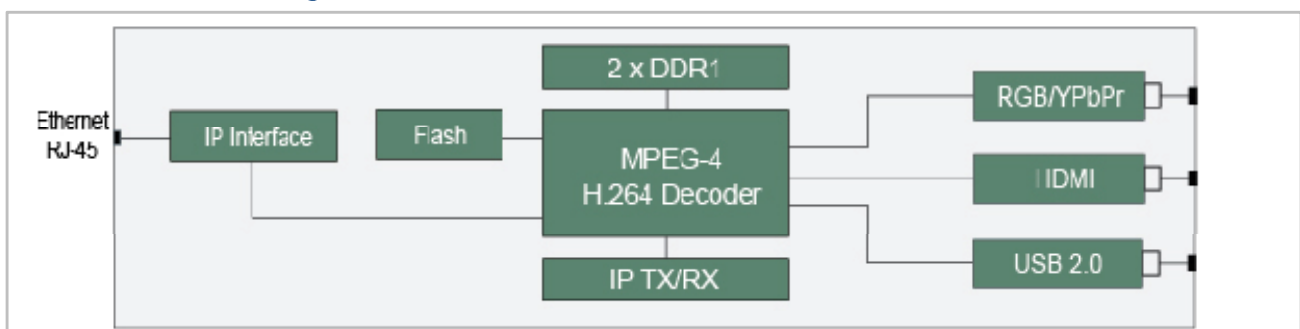
### Introduction

Multi-Codec IP Set-Top Box is the terminal equipment for provide the broadcast service with connect to internet. IP as a transmission from the broadcast center receives the broadcast signal, the high HD/SD IP Set-Top Box is decoding video / audio signal and supporting MPEG-4 AVC HP@L4.

### Features

- High quality video decoding capability for SD and HD multicast and on-demand streams
- High quality with HD H.264, VC-1, MPEG2, MPEG4 and WMV
- Linux / WinCE v6.0
- Fully compliant with HDMI 1.3a
- HTML 4.0.1/ JavaScript 1.5 / DHTML
- Multicast with IGMP / Unicast
- Video on Demand with RTSP
- S/W Remote Upgrade
- Macromedia Flash 7.0 support
- Multiple Graphics and Video planes with alpha blending
- Designed compact and stylish

### Internal Block Diagram



## Specifications

DST-2000IP

	ITEM	CHARACTER
<b>Software</b>	Operating System	Embedded Linux / WinCE v6.0
	Graphic Engine	5 Video / Graphic Planes (256 Level Alpha Blending)
<b>Decoding</b>	Video Decoding	MPEG-2 MP@HL MPEG-4 ASP@L5 (without GMC) WMV9 MP@ML H.264
	Audio Decoding	MPEG-1/2 Layer 1, 2, 3 MPEG-2/4 AAC Dolby Digital AC-3 WMA
<b>Output Interface</b>	Video Output	Composite (NTSC/PAL) Component (YPbPr, up to 1080i) HDMI (Up to 1080p)
	Audio Output	Stereo, Dual, Mono, S/PDIF (Optical, 5.1 Channel)
	Peripheral	2 x USB 2.0
	User Interface	IR Remote Control
	Web Browser	Embedded Web Browser (ANT Browser) for Linux HTML 4.0 HTTP 1.1 JavaScript 1.5 CSS 1.0/2.0
	Security	Macrovision Copy protection
<b>Ethernet</b>	Connector	RJ-45
	Interface Type	10/100 Base-T
	Protocols	IPv4, IPv6, DHCP, TFTP, NTP, RTSP, IGMPv2
<b>General</b>	Power Requirements	AC 100 ~ 240V, 50/60Hz
	Power Consumption	45 W
	Weight	780 g
	Dimensions (W x H x D)	160 x 42 x 140 mm



Front View



Rear Panel